

Neo-Dyn® Series 132T Temperature Switch/Internal Adjustment

Compact, adjustable, direct mount temperature switch featuring the efficient Nega-Rate® Belleville disc spring for set point stability and vibration resistance.

Operating Temperature Data

Adjustable Range	Adjustable Set Point Range		Deadband† (approx) Bottom/Top		Proof Temperature	
	Increasing °F	Decreasing °F	°F	°C	°F	°C
B	-50 to +30	-69 to +26	19/4	11 / 2	250	121
D	+30 to +125	+7 to +121	23/4	13 / 2	300	149
F	+95 to +200	+70 to +196	25/4	14 / 2	400	204
H	+115 to +230	+89 to +224	26/6	14 / 3	400	204
J	+175 to +300	+146 to +294	29/6	16 / 3	500	260
L	+260 to +360	+236 to +356	24/4	13 / 2	500	260
N	+290 to +395	+263 to +391	27/4	15 / 2	500	260

†Deadband decreases as the adjustable set point is increased. For narrow deadband select set point in upper half of adjustable range.

Standard Specifications

Electrical

Snap action electrical switch recognized by Underwriters' Laboratories, Inc. and CSA International

Electrical Connection

½ NPT male conduit connection with PVC insulated 18 AWG, 18" long leads

Process Connection

½ NPT Male Direct mount

System Pressure

1500 psig maximum

Proof Pressure

2250 psig

Adjustment

Internal, slotted adjustment nut with range scale

Temperature Range

Ambient: -40°F to +180°F
(-40°C to +82°C)

Shipping Weight

Approximately 2.5 pounds



Weather Proof
(NEMA 4 and 13)

Ordering Sequence — Select desired option for each category

OPTIONS

Wetted Material

4 300 Series stainless steel port and probe assembly, Teflon seal

Adjustable Range

B	-69°F dec. to	+30°F inc.	-56°C dec. to	-1°C inc.
D	+7°F dec. to	+125°F inc.	-14°C dec. to	52°C inc.
F	+70°F dec. to	+200°F inc.	21°C dec. to	93°C inc.
H	+89°F dec. to	+230°F inc.	32°C dec. to	110°C inc.
J	+146°F dec. to	+300°F inc.	63°C dec. to	149°C inc.
L	+236°F dec. to	+360°F inc.	113°C dec. to	182°C inc.
N	+263°F dec. to	+395°F inc.	128°C dec. to	202°C inc.

Electrical Form

C 11 amp, ¼ hp at 125 or 250 VAC; 5 amp resistive, 3 amp inductive at 28 VDC;
.5 amp resistive at 125 VDC
CC 11 amp, ¼ hp at 125 or 250 VAC; 5 amp resistive, 3 amp inductive at 28 VDC;
.5 amp resistive at 125 VDC

Enclosure

3 Meets or exceeds the requirements of NEMA Type 3, 3R, 3S, 4, 4X and 13

Miscellaneous

A Epoxy paint exterior — extra protection for severe environments
I ¾ NPT conduit box with terminal strip
J Annealed stainless steel port screws for H₂S environments
M Gold electrical contacts for extremely low current applications
R 72" Electrical free leads
X CE Mark

Special (Consult representative or factory)

- Thermowells
- Non-catalog adjustable range and/or set point and deadband
- Non-standard probe lengths

Ordering Procedure

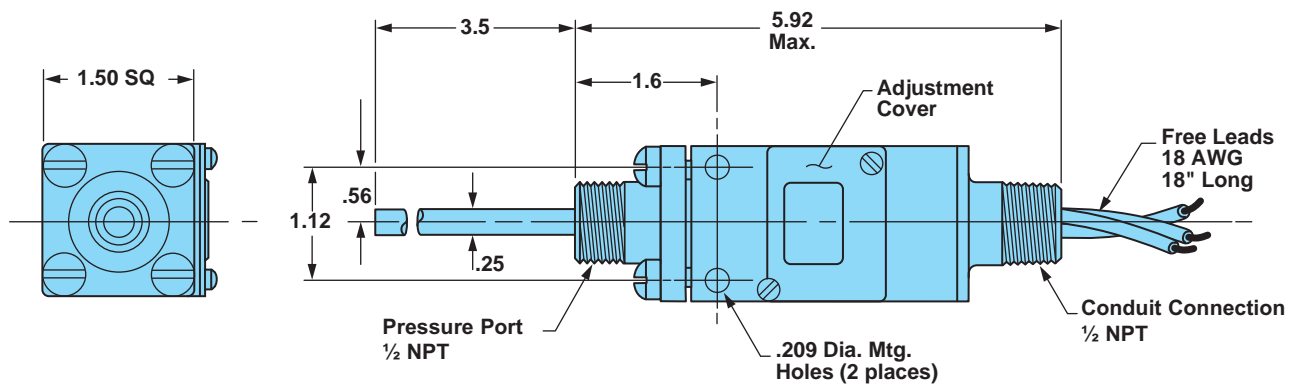
- When factory presetting is desired, stipulate set point, increasing or decreasing
- Insert available option letter designation as required

Example

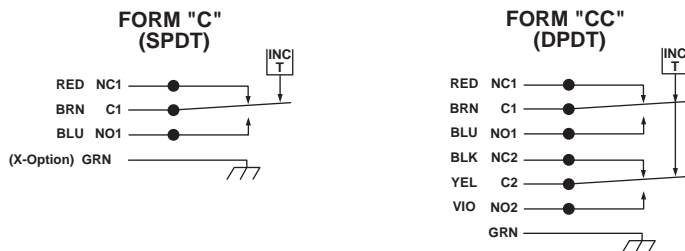
Series
Wetted Material
Adjustable Range
Electrical Form
Enclosure
Miscellaneous

132T 4B CC 3 _

Envelope Dimensions



Electrical Form



Basic Principles of Design

