

# Neo-Dyn® Series 117P Sanitary Pressure Switch/Internal Adjustment

This field adjustable, compact pressure switch is intended for low- to mid-range process applications. The Tri-Clamp® compatible, polished, process connection makes this switch ideal for food, beverage and other sanitary services. Set point stability and vibration resistance are a function of the Nega-Rate® Belleville disc spring. This unit features 316 stainless steel construction, an explosion-proof/hermetically sealed electrical assembly, 18" standard free leads and SPDT or DPDT electrical forms and a wetted material surface polish of 9 - 11 micro inch Ra (0.23 - 0.28 micron Ra).†

## Operating Pressure Data

Adjustable Range Number	Adjustable Set Point Range		Deadband (approximate)	*Maximum Recommended System Pressure	*Proof Pressure
	Increasing	Decreasing			
2	3 to 30	1 to 28	2	1000	1500
4	20 to 80	15 to 75	5	1000	1500
5	50 to 250	30 to 230	20	1000	1500
6	200 to 400	175 to 375	25	1000	1500
7	375 to 725	330 to 680	45	1000	1500

All values given in psig.

\*Note: Pressures are switch ratings. Check clamp manufacturer for clamp rating.

## Standard Specifications

### Electrical

Snap action electrical switch listed by Underwriters' Laboratories, Inc., Factory Mutual and CSA International

### Electrical Connection

½ NPT male conduit connection with PVC insulated 18 AWG, 18" long leads

### Pressure Connection

1½" sanitary fitting mates with Tri-Clamp® fitting†

### Temperature Range

Ambient: -40°F to +180°F  
(-40°C to +82°C)

Media: -40°F to +250°F  
(-40°C to +121°C)

### Adjustment

Internal, slotted adjustment with range scale

### Shipping Weight

Approximately 2 pounds



## Ordering Sequence — Select desired option for each category

### OPTIONS

#### Wetted Material

5 316 stainless steel port and diaphragm, heliarc welded

#### Adjustable Range

2 1 psig dec. to 30 psig inc. (.07 bar dec. to 2.1 bar inc.)  
 4 15 psig dec. to 80 psig inc. (1.0 bar dec. to 5.5 bar inc.)  
 5 30 psig dec. to 250 psig inc. (2.1 bar dec. to 17.2 bar inc.)  
 6 175 psig dec. to 400 psig inc. (12.1 bar dec. to 27.6 bar inc.)  
 7 330 psig dec. to 725 psig inc. (22.8 bar dec. to 50.0 bar inc.)

#### Electrical Form

C 11 amp, ¼ hp at 125 or 250 VAC; 5 amp resistive, 3 amp inductive at 28 VDC;  
 .5 amp resistive at 125 VDC  
 CC 11 amp, ¼ hp at 125 or 250 VAC; 5 amp resistive, 3 amp inductive at 28 VDC;  
 .5 amp resistive at 125 VDC

#### Enclosure

6 Explosion proof, hermetically-sealed electrical assembly, leads factory sealed, P/N 057-0770 (C Form) and P/N 057-0771 (CC Form); **Underwriters' Laboratories, Inc.** listed (file E56677), **CSA International** certified (File LR34146), and **Factory Mutual** approved (File J.I.1R5A9.AE) for Division 1 and 2; Class I, Groups A, B, C and D; Class II, Groups E, F and G Hazardous Locations; NEMA type 7 and 9.

#### Miscellaneous

I ¾ NPT conduit box with terminal strip (Groups C & D only, not available with N option)  
 M Gold electrical contacts for extremely low current applications  
 N ATEX approval  
 R 72" Electrical free leads

#### Special (Consult representative or factory)

■ Non-catalog adjustable range and/or set point, deadband and proof pressure

†Tri-Clamp® is a Registered Trademark of Tri-Clover Inc.

## Ordering Procedure

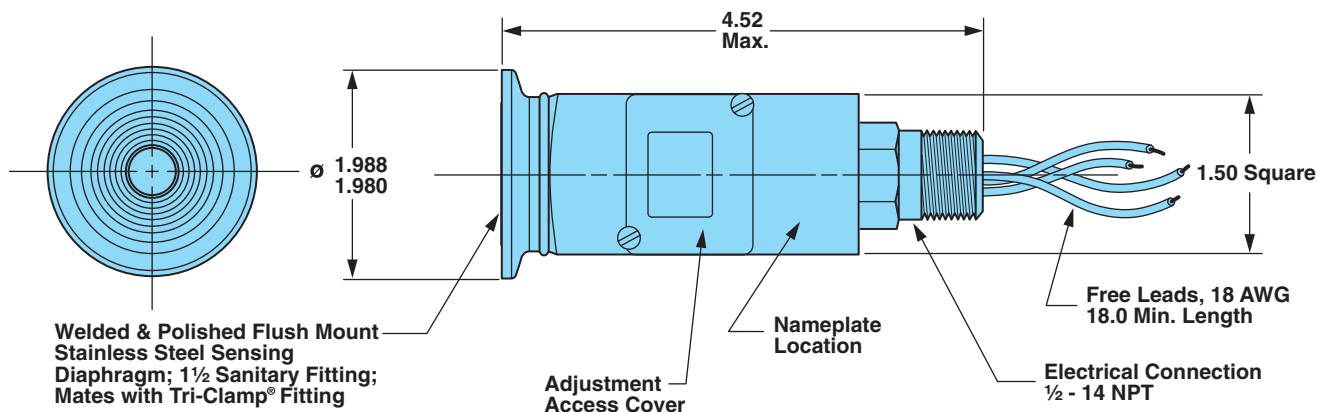
- When factory presetting is desired, stipulate set point, increasing or decreasing
- Insert available option number or letter designation as required

## Example

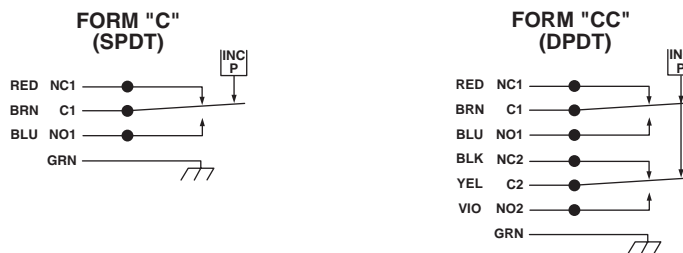
Series  
 Wetted Material  
 Adjustable Range  
 Electrical Form (specify)  
 Enclosure  
 Miscellaneous

117P 52 C 6 \_

## Envelope Dimensions



## Electrical Form



## Basic Principles of Design

